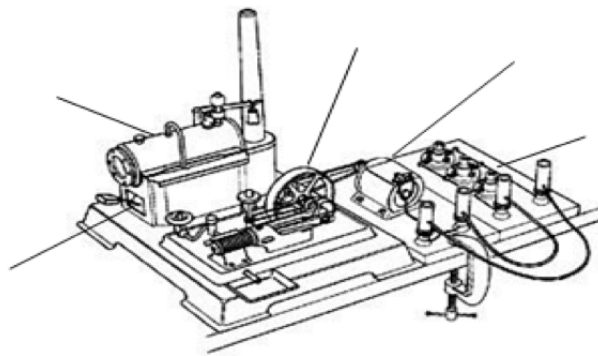


A simple power station

Energy transfers are key to having a successful power station

- ① Label the parts of the power station using keywords learnt in this topic.



- ② Use the keywords to show how the steam engine works.
Write the energy form at each stage underneath the bubbles.

Generator bulbs flywheel fire steam pistons fuel wires how water

